

Puttshack

BAR • DINING • MINI GOLF



Mini golf Reimagined

Puttshack combines the finest hospitality and food & beverage, with award winning design; to transform miniature golf from a traditional 'family only' activity into an unprecedented social entertainment concept.





Founders

BOUNCE

• THE HOME OF PING PONG •

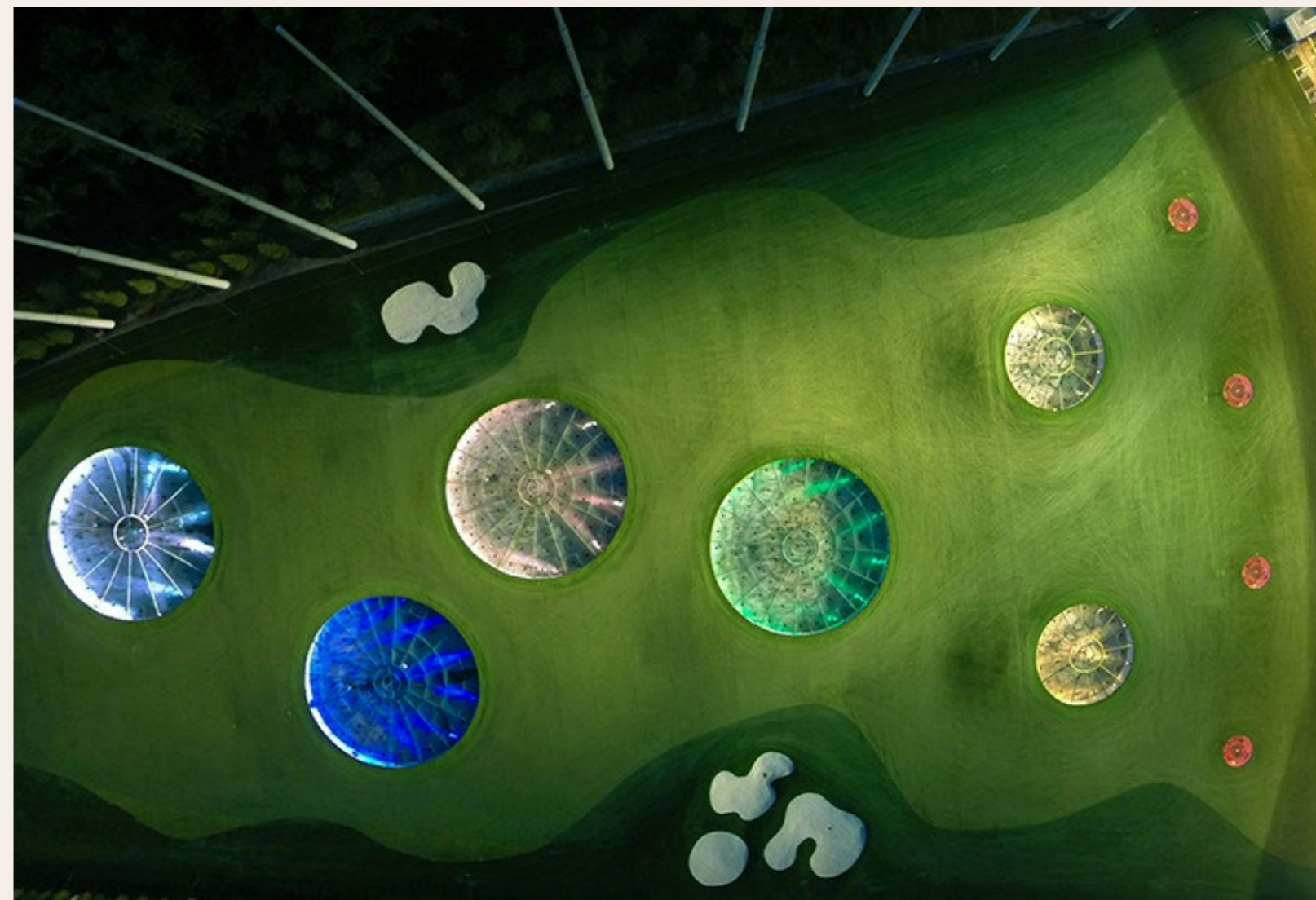


Adam Breedden





**Steve & Dave
Jolliffe**



Automatic Scoring

The system employs the revolutionary patented software, Trackaball' - a tiny micro-computer in the core of the golf ball which records every detail of gameplay.

Hole 9 Shuffleboard

Group A	1	2	3	4	5	6	7	8	SHOTS	
1 Timothy	35	0	10	30	5	30	50	10	0	460
2 Chris	0	0	5	30	5	70	20	10		300
3 Ray	60	40	10	5	5	70	20	20		120
4 Georgia	70	0	15	70	20	70	50	30		80
5 Alberta	60	40	10	5	5	70	20	50		120
6 Christopher	70	0	15	30	20	70	50	50		80

Dave's Birthday

1 Simon	460	4
2 Mark	460	3
3 Timothy	460	4
4 Kitty	460	2
5 Chris	460	1
6 Polly	460	3

Take your shot Tim



Most Hole In Ones
Tim

Biggest Cheat
Dave

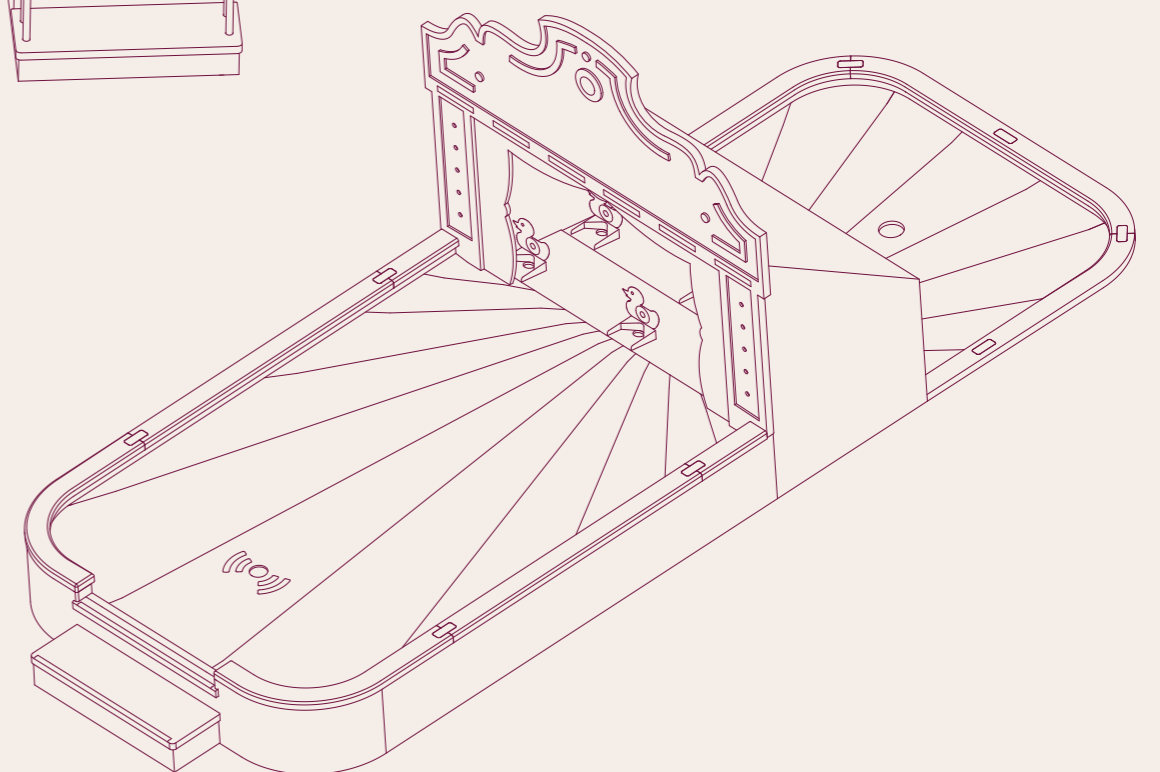
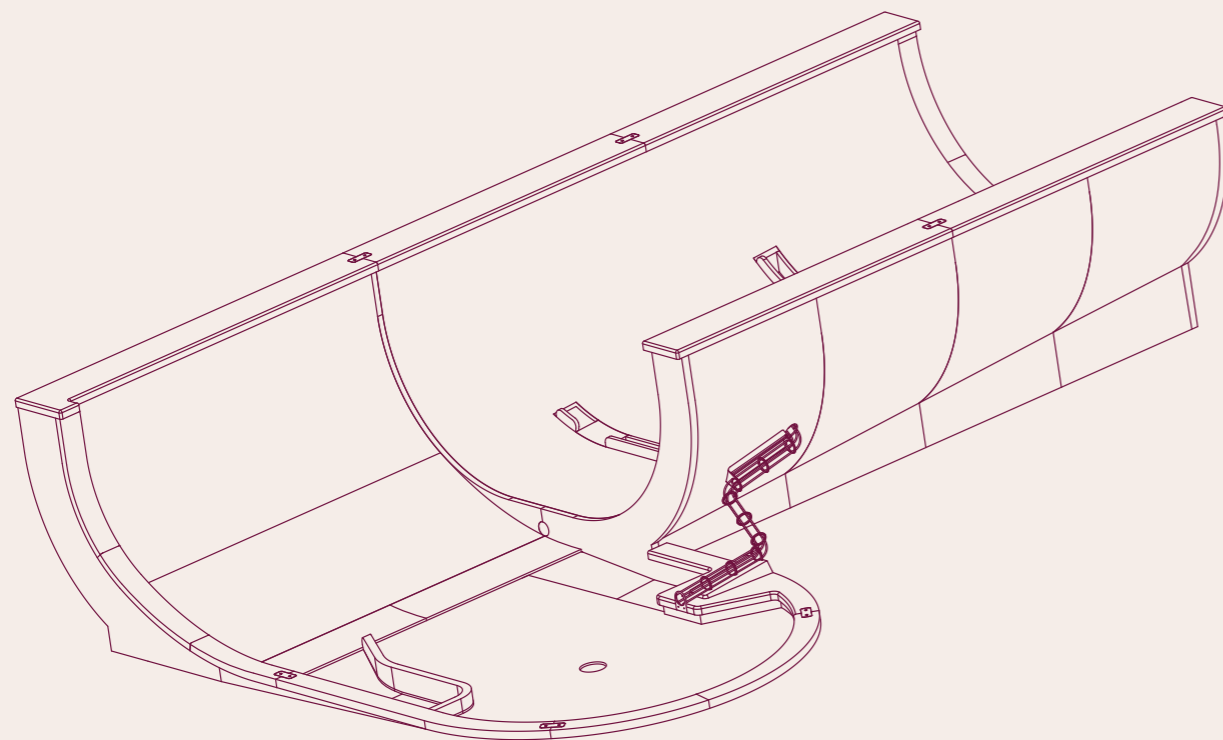
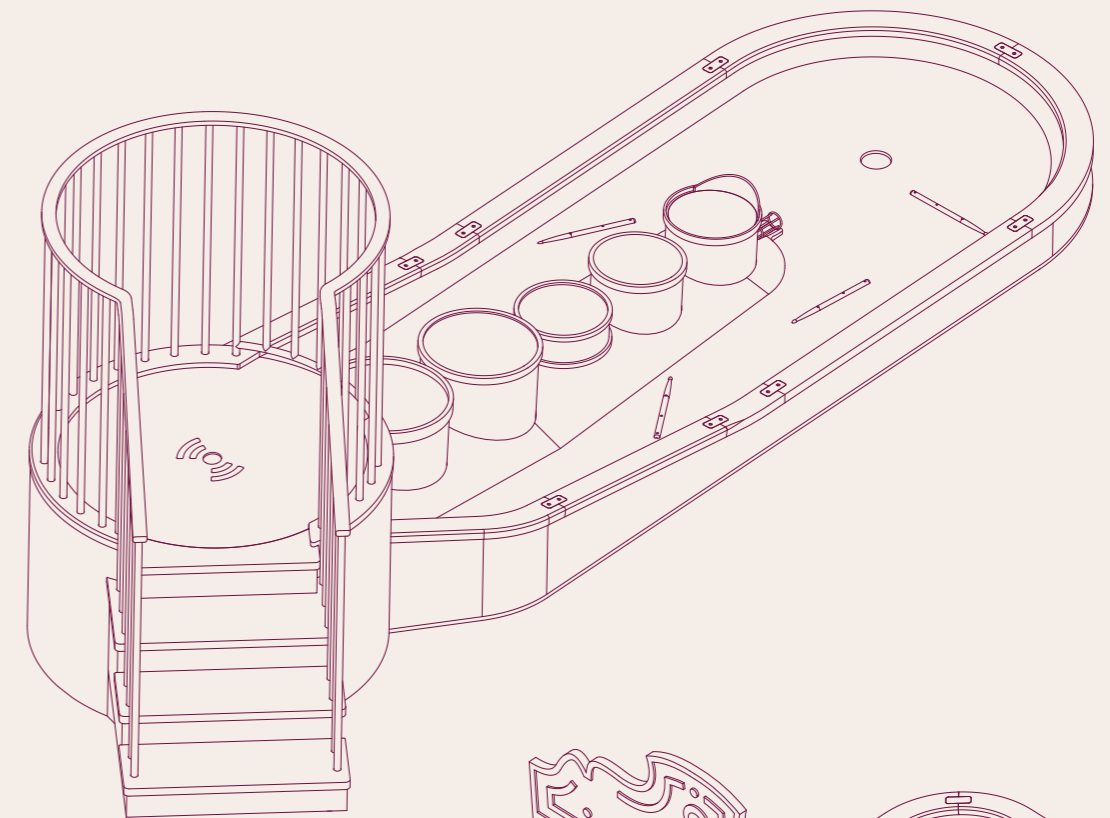
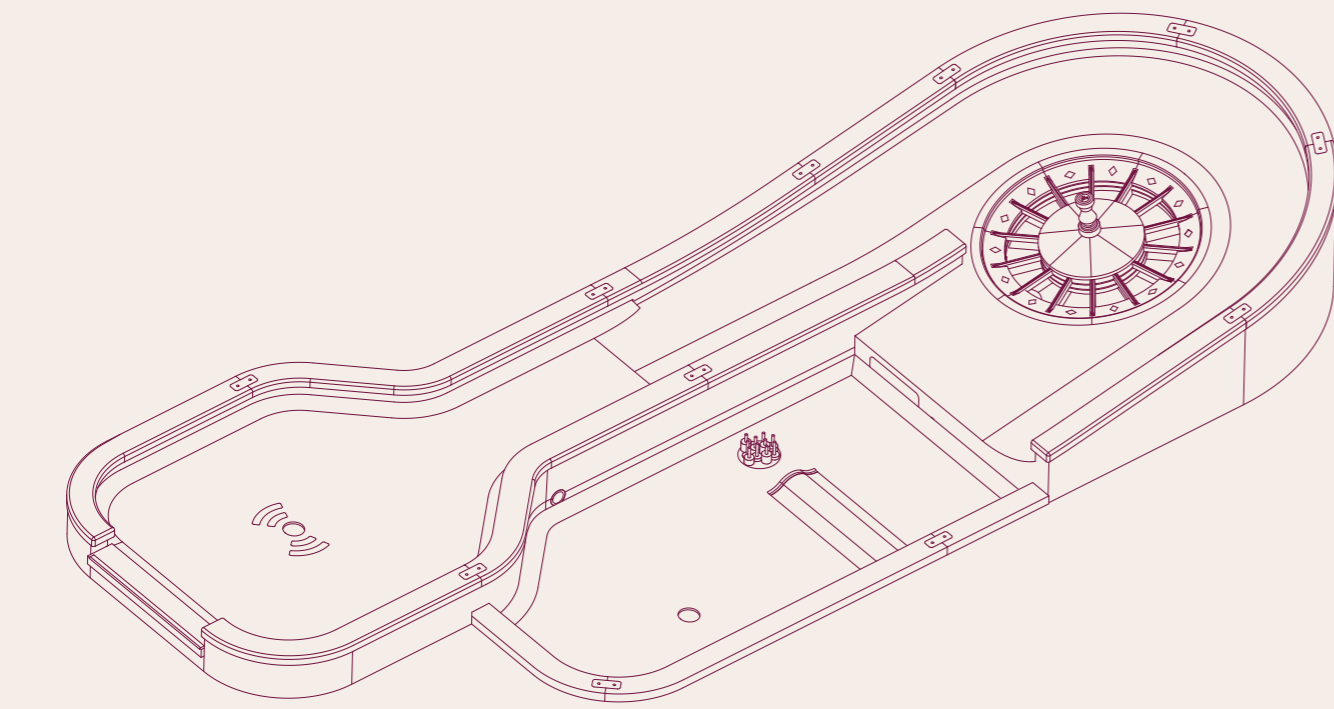
Most Penalties
Mark

Collecting highlights reel...



Revolutionary Hole Design

Pushing the consumer experience and taking immersive gameplay to the next level.



Drum Roll

RUBY COURSE





Putt Luck
RUBY COURSE

The Final Stretch

SAPPHIRE COURSE



Hall of Fame

Rank	Name	Score	Points
1	Henry The Terminator	10	145
2	Samuel S	11	142
3	Barry Flash	11	142
4	John Crane	11	141
5	James Royal	11	140
6	Nick	11	139
7	Greg Grant	11	135
8	Kevin Long	11	131
9	Ulika Wright	11	130
10	Mark	11	128

SAPPHIRE

Hall of Fame

Rank	Name	Score	Points
1	Henry The Terminator	10	145
2	Samuel S	11	142
3	Barry Flash	11	142
4	John Crane	11	141
5	James Royal	11	140
6	Nick	11	139
7	Greg Grant	11	135
8	Kevin Long	11	131
9	Ulika Wright	11	130
10	Mark	11	128



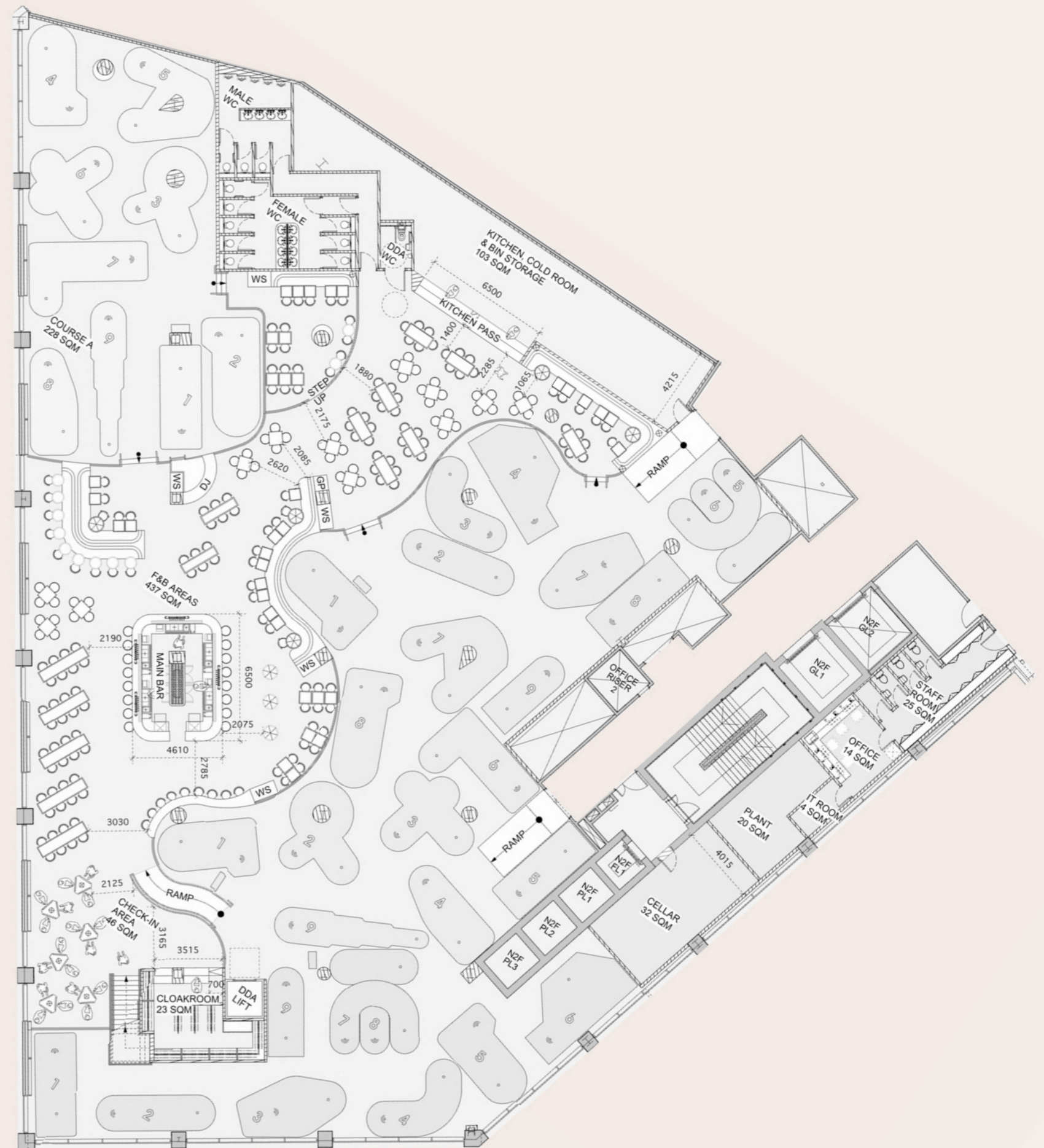
Example Layout

Four minigolf courses,
each with nine holes

High quality
restaurant operation

5000sq/ft food
& beverage area

Allocated £8M venue
development budget



Food & Beverage

Boasting a beautiful island bar and dining area, Puttshack offers a refined menu designed for sharing, with plenty of indulgent 'guilty pleasures' and beautifully crafted healthful meals.







Sample Menu

Sharing

Crackers, dips & chips - choice of:

- Iced crudité's & beetroot hummus
heritage carrots, radish, cucumber, peppers, celery ^{VE}
- Taramasalata
seaweed crackers & keta caviar
- Muhammara with blue corn chips
roasted red peppers, cumin, pomegranate molasses, roasted walnuts ^{VE}

Roman artichoke crostini

Tapenade, smoked garlic, Sorrento olives, roasted tomatoes & gremolata ^{VE}

Seared Korean fillet of beef skewers

Kimchi, sesame & XO slaw, kale crisps

Southern fried tofu

Marinated smoked tofu, miso, ginger & carrot dressing ^{VE}

Fried cheese balls

Three cheese mac'n cheese, confit Clarence Court yolk

Buttermilk marinated popcorn chicken

Chipotle & lime dressing

Steamed vegetable gyoza dumplings

Sake & srirachia dressing, toasted sesame seeds & cashew nuts on baby gem ^{VE}

Cheeky tacos

6 hour braised Hereford ox cheek, caper mayonaise, Hass avocado & pickled rainbow slaw

Rookie Wings

Confit Bourbon & BBQ glazed sticky wings, toasted sesame seeds & spring onions

12" Stone baked sourdough pizza

Classic

Buffalo mozzarella, San Marzano tomatoes, basil & fresh oregano

Smoked pulled pork

Smoked and pulled pork blade, buffalo mozzarella, crispy speck and green jalapeno sauce

Smoked BBQ chicken

Smoked chicken, Smokey Bourbon sauce, Piquillo pepper & charred corn

Eggs florentine

Kale, roasted tomatoes, aged parmesan, Clarence Court egg & hollandaise

Wild mushrooms & black truffle pecorino

Roasted wild mushrooms, truffle oil, buffalo mozzarella, pecorino & basil pesto

Goat's cheese

Caramelised red onions & buffalo mozzarella ^V

The Vegan

Black quinoa chilli, pickled red jalapenos & coriander ^{VE}

PIZZA CRUST DIPPING SAUCES

Sage infused chicken mayo
Chimichurri
Chipotle and lime
Gorgonzola mayo
Bloody Mary ketchup
BBQ bourbon
Harissa mayo

Pots, pans & grill

Chicken shawarma on a stonebaked flat bread

Harissa spiced chicken, rainbow slaw, red jalapenos & crushed avocado

Suffolk lamb & roasted cumin kofta

Stone baked flat bread, roasted red pepper hummus, feta, coriander, basil yoghurt dressing and pomegranate

Black quinoa & mixed bean chilli

Smoked tofu, herb infused polenta chips, guacamole & ricotta sour cream ^V

Pan fried sea trout

Beans, rainbow chard, burnt spring onions & green sauce

6 hour braised Bourbon glazed short rib

Charred corn & pickled rainbow kale slaw

Chargrilled watermelon, feta & wild rice salad

Hass avocado, organic shoots & sprouts, toasted chai seeds, Lake Farm yoghurt, chilli & mint dressing ^V

Buns

Bao steamed buns

Smoked pork blade, slaw & poached rhubarb

Classic

Aged beef patty, seasoned mayo, iced gem, tomato, Virgin Mary ketchup, French's mustard, gherkins, shallots

Bourbon BBQ

Aged beef patty, smoked applewood cheese, bourbon BBQ sauce, iced gem, tomato, pickles & maple cured crispy bacon

Puttshack fillet

Buttermilk chicken, chipotle & lime mayo, iced gem

Korean fried chicken

Buttermilk fried chicken, XO dressing, Kimchi, Gochujan chilli & pickled red jalapenos

V - burger

Panko fried avocado, Portobello roasted mushrooms, crispy shallots, Sriracha, spinach & roasted tomato ^{VE}

Bit on the side

Shack fries

Rosemary salt with Bloody Mary or Virgin Mary ketchup

Cheesy fries

Hay smoked mozzarella & Monterey Jack cheese sauce, crispy shallots and chillies

Caesar salad

Toasted seeds, parmesan & anchovies

Polenta chips

Gorgonzola, pecorino & fried sage

Chargrilled watermelon salad

Feta & mint

Naughty but nice

Blueberry cheesecake

Amaretti biscuit, green pistachio caramel brittle

Chocolate tacos

Cashew nut peanut butter, salted caramel, Nutella & crackling candy

Chocolate orange semifreddo

Berries, coconut sorbet & honeycomb ^{VE}

Cheers cocktail ice cream pots

Choice of: strawberry daiquiri, mojito, chocolate espresso martini or toffee vodka

Blood orange sorbet

^{VE} VEGAN

^V VEGETARIAN

P

The Market

The offer appeals to one of the broadest markets in Leisure in terms of demographic as well as being able to attract different markets during the day and at night.

ALL DAY

Families

Minigolf is one of the most recognised family entertainment activities

School Holidays

Corporate Bookings

UK visitors to London

International Tourists

ALL NIGHT

Adults (25-45)

After work social, birthdays & celebrations and vibrant nights out

Young Adults (18-35)

Offer appeals to the emerging generations

Corporate Outings

Dating

UK & International Tourists



DESIGN BY
Russell Sage Studio



Existing Corporate Clients



BVLGARI

Zoopla

Google

Deutsche Bank 

P&G

TOPSHOP

BBC



Morgan Stanley

citi

VISA




Schroders

IKEA



Coca-Cola

DIAGEO

ERNST & YOUNG



BURBERRY

Nikon

ESTÉE LAUDER




Unilever

SONY



ebay





Puttshack

Puttshack

Puttshack

Beer Pong

EMERALD COURSE



Current Locations

Westfield London
White City

intu Lakeside
Grays, England

1 Poultry
Bank, London

Site Requirements

Size	20,000 - 25,000 sq ft Ground floor, Basement or First Floor
Planning	D2 with ancillary A3/A4 planning
Cohabitation	High footfall locations, Leisure Parks, mixed use and destination locations, 300,000+ population within 20 miles
Prime Locations	Paddington, Kings Cross, Victoria, Watford, London Bridge, Clapham, Kingston, Croydon
Further Locations	Manchester, Birmingham, Leeds, Liverpool, Cardiff, Sheffield, Edinburgh, Bristol, Swindon, Glasgow

Contact

THOMAS ROSE (Europe)
07793 024 403
thomas.rose@cushwake.com

AVI BEHAR* (Canada)
4166368898
abehar@thebehargroup.com

ALAN KATZ (US)
2243925302
akatz@emergingconcepts.com



puttshack.com

*Broker | The Behar Group Realty Inc., Brokerage

A photograph of two women laughing joyfully at night. The woman on the left has long dark hair and is wearing a light-colored top with a gold necklace. The woman on the right has long blonde hair and is wearing a dark blue floral patterned top. The background is dark with out-of-focus lights, suggesting an outdoor night setting. A purple circular call to action is centered over the image.

**Watch
the video**